

# PARTS LIST

[RD-T7RGN]  
[RD-T5RBU]

\* All printed circuit boards and its assemblies are not available as service parts.

## Area suffix

B -----U.K.  
E -----Continental Europe  
EE ----- Russian Federation  
EN ----- Northern Europe  
EV -----Eastern Europe

## - Contents -

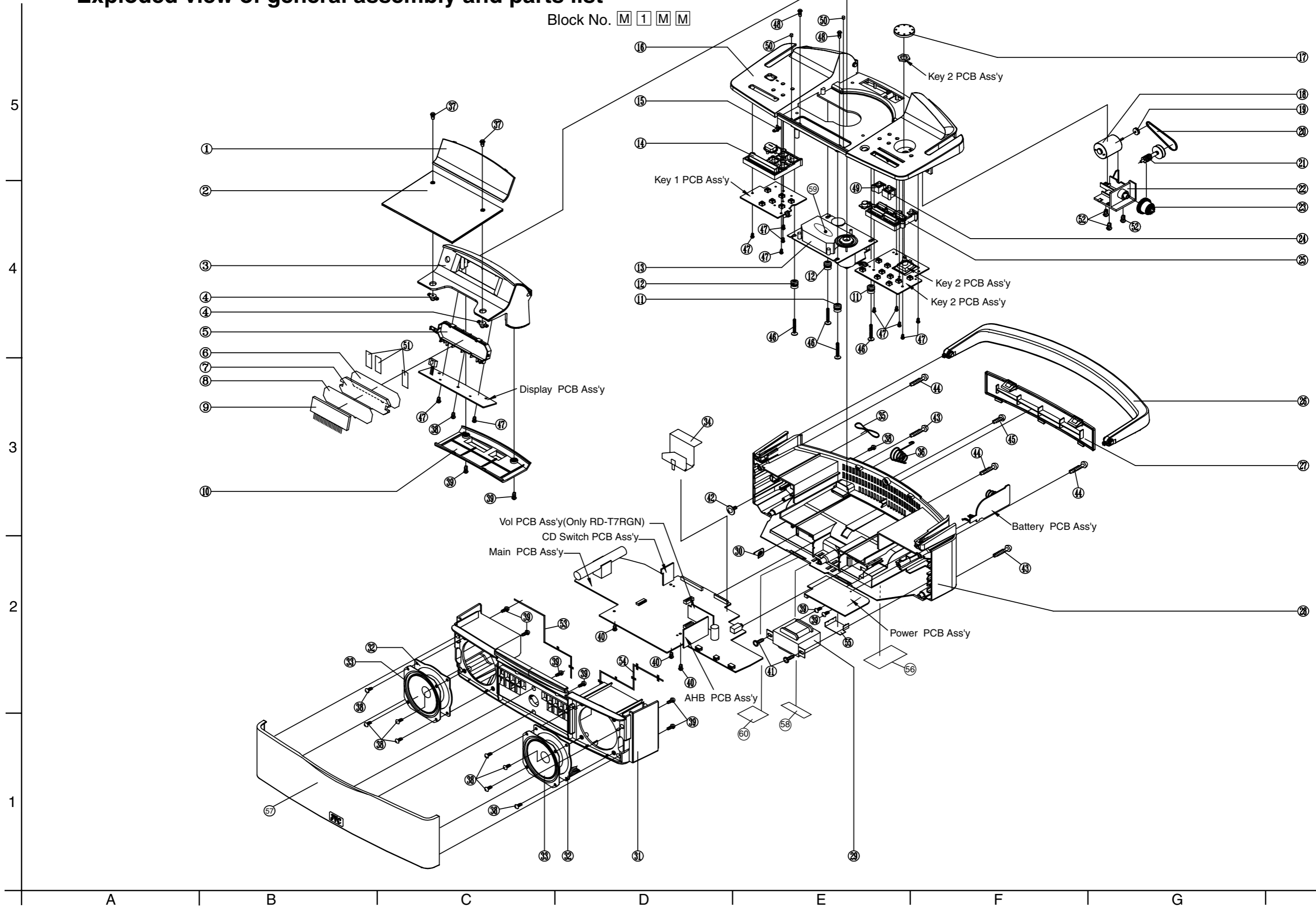
Exploded view of general assembly and parts list .....	3- 3
Electrical parts list .....	3- 5
Packing materials and accessories parts list .....	3-12

< M E M O >

# Exploded view of general assembly and parts list

Block No. 

M	1	M	M
---	---	---	---



## ■ Parts list(General assembly)

Block No. M1MM

△	Item	Parts number	Parts name	Q'ty	Description	Area
	1	GJ4F05808002C0	LENS LCD	1		
	2	GJ4F05809002C0	LENS CD DOOR	1	RD-T5RBU	
		GJ4F05809004C0	LENS CD DOOR	1	RD-T7RGN	
	3	GJ4A05807001B0	DOOR CD	1		
	4	GJ4A05821001A0	MOUNTING POST	2		
	5	GJ4B05822001A0	LCD HOLDER	1		
	6	GJ74500070000	LCD DIFFUSION(2	1	LCD DIFFUSION(2	
	7	GJ4C05823001A0	REFLECTION LENS	1		
	8	GJ74500060000	LCD DIFFUSION(1	1	LCD DIFFUSION(	
	9	GJ373010390510	LCD DISPLAY	1		
	10	GJ4B05810001A0	COVER CD DOOR	1		
	11	GJ391009531	RUBBER VIBRATIO	2	VIBRATION PROOF	
	12	GJ391009521	RUBBER VIBRATIO	2	VIBRATION PROOF	
	13	GJ38400030000	CD MECHA	1	EXL-M7B (E TYPE	
	14	GJ4A05812001E0	FUNCTION KNOB(L	1	RD-T7RGN	
		GJ4A05812002E0	FUNCTION KNOB(L	1	RD-T5RBU	
	15	GJ4C05811001A0	LED LENS	1		
	16	GJ4B05806101E0	CABINET TOP	1	RD-T7RGN	
		GJ4B05806001E0	CABINET TOP	1	RD-T5RBU	
	17	GJ4A05817001B0	JOG KNOB	1		
	18	GJ381020290003	MOTOR	1		
	19	GJ460400320101	PULLEY	1		
	20	GJ560430010101	LOADING BELT	1		
	21	GJ4D05819001A0	WORM GEAR	1		
	22	GJ4B05820001A0	HOLDER GEAR	1		
	23	GJ4D05818001A0	REDUCE GEAR	1		
	24	GJ4A05814001B0	RANDOM KNOB	1		
	25	GJ4A05813001E0	FUNCTION KNOB(	1	(R)	
	26	GJ4A05805001B0	HANDLE	1		
	27	GJ4B05804001B0	DOOR BATTERY	1		
	28	GJ4B05803001B0	REAR CABINET	1		
	29	GJ336480250007	TRANSFORMER	1	T901	
	30	GJ711001940100	BATTERY SPRING	1	(SIZE AA +)	
	31	GJ4B05801001F0	FRONT CABINET	2		
	32	GJ761000330100	CUSHION	2	72X72MM T=1.5MM	
	33	GJ370040070017	SPEAKER	1		
	34	GJ780000420100	HEAT SINK	1		
	35	GJ351001072231	FM PG TAIL	1		
	36	GJ2020Q350400	BATTERY SPRING	1	(SIZE D -)	
	37	GJ700423400850	SCREW	2	HEXA LENS, CD	
	38	GJ702244300810	SCREW	10	3X8 HOLDER, GE	
	39	GJ702244301010	SCREW	10	TT 3X10 AC SOCK	
	40	GJ700223261210	SCREW	3	ST 2.6X12 MAIN	
	41	GJ702264301410	SCREW	2	3X14 P.TRANS	
	42	GJ703308000200	SCREW	1	SP TT 3X8 FM AN	
	43	GJ702244304510	SCREW	2	3X45 CABINET	
	44	GJ702224302510	SCREW	3	3X25 CABINET	
	45	GJ700223301210	SCREW	1	3X12 CABINET	

## ■ Parts list (General assembly)

Block No. M1MM

△	Item	Parts number	Parts name	Q'ty	Description	Area
	46	GJ700263261610	SCREW	4	2.6X16 CD MECH	
	47	GJ700231260810	SCREW	11	2.6X8 KEY PCB D	
	48	GJ702224301250	SCREW	2	3X12 CABINET	
	49	GJ4A05815001B0	A.H.B.KNOB	1	RD-T7RGN	
	50	GJ782000160100	RUBBER FOOT	1	D3XT1MM	
	51	GJ2459847000	HIMELON	1	3X12	
	52	GJ702254301050	SCREW	1	3X10	
	53	GJ763000630100	FELT SHEET	1	L	
	54	GJ763000640100	FELT SHEET	1	R	
	55	GJ790000650101	SHEET	1		
	56	GJ560580090101	NAME PLATE	1	RD-T7RGN	B,E,EN,EV
		GJ560580090201	NAME PLATE	1	RD-T7RGN	EE
		GJ560580120101	NAME PLATE	1	RD-T5RBU	B,E,EN,EV
		GJ560580120201	NAME PLATE	1	RD-T5RBU	EE
	57	GJA2024010001C	SPEAKER NET	1	ASS'Y RD-T7RGN	
		GJA2024013001C	SPEAKER NET	1	ASS'Y RD-T5RBU	
	58	GJ772007740101	LABEL	1	B-MARK-CAUTION	EV
	59	OPTIMA-7B	PICK UP	1		
	60	GJ772001610202	CLASS 1 LABEL	1		

## ■ Electrical parts list (Main board)

Block No. 01

△	Item	Parts number	Parts name	Remarks	Area	△	Item	Parts number	Parts name	Remarks	Area
	A - A	GJ351000082612	J.WIRE				C 127	GJ270193360399	ECAPACITOR	50V VX M 3.3MF	
	BATTE	GJ351020192612	J.WIRE	190MM			C 128	GJ210136612499	CHIP CAPACITOR	1608 50V CH J	
	C 1	GJ264141022199	C.CAPACITOR	50V B K 1000FF			C 129	GJ210133302499	CHIP CAPACITOR	1608 50V CH J 2	
	C 2	GJ210131502499	CHIP CAPACITOR	1608 50V CH J 1			C 130	GJ210133302499	CHIP CAPACITOR	1608 50V CH J 3	
	C 3	GJ210131012499	CHIP CAPACITOR	1608 50V CH J 1			C 131	GJ214122232499	CHIP CAPACITOR	1608 50V F Z 0.	
	C 4	GJ210136612499	CHIP CAPACITOR	1608 50V CH J			C 132	GJ214122232499	CHIP CAPACITOR	1608 50V F Z 0.	
	C 5	GJ264182222199	C.CAPACITOR	25V F Z 0.022UF			C 133	GJ210132212499	CHIP CAPACITOR	1608 50V CH J 2	
	C 6	GJ214204732499	CHIP CAPACITOR	1608 16V B K 0			C 134	GJ210132212499	CHIP CAPACITOR	1608 50V CH J 2	
	C 7	GJ214122232499	CHIP CAPACITOR	1608 50V F Z 0.			C 305	GJ270122261599	ECAPACITOR	16V SA M 22UF	
	C 8	GJ214122232499	CHIP CAPACITOR	1608 50V F Z 0.			C 310	GJ270194751599	ECAPACITOR	50V SA M 4.7UF	
	C 21	GJ264100682199	C.CAPACITOR	50V CH K 6.8PF			C 311	GJ270111080899	ECAPACITOR	10V SMG M 1000U	
	C 32	GJ210131202499	CHIP CAPACITOR	1608 50V CH J 1			C 312	GJ270111080899	ECAPACITOR	10V SMG M 1000U	
	C 35	GJ210131202499	CHIP CAPACITOR	1608 50V CH J			C 313	GJ264271032199	C.CAPACITOR	16V Y M 0.01UF	
	C 40	GJ270111070399	ECAPACITOR	10V VX M 100MF	B.E.E.NEV		C 315	GJ264141022199	C.CAPACITOR	50V B K 1000FF	
	C 41	GJ210131012499	CHIP CAPACITOR	1608 50V CH J 1			C 316	GJ264141022199	C.CAPACITOR	50V B K 1000FF	
	C 44	GJ210131202499	CHIP CAPACITOR	1608 50V			C 317	GJ270141061599	ECAPACITOR	25V SA M 10UF	
	C 44	GJ210131202499	CHIP CAPACITOR	1608 50V	EE		C 318	GJ264271032199	C.CAPACITOR	16V Y M 0.01UF	
	C 45	GJ282031052499	M.CAPACITOR	50V MMT J 1UF	EE		C 319	GJ270141061599	ECAPACITOR	25V SA M 10UF	
	C 46	GJ214013922499	CHIP CAPACITOR	1608 50V B K 3			C 321	GJ270114770999	ECAPACITOR	10V SMG M 470MF	
	C 47	GJ214001032499	CHIP CAPACITOR	1608 25V B K 10			C 322	GJ270124760399	ECAPACITOR	16V VX M 47UF	
	C 48	GJ214008222499	CHIP CAPACITOR	1608 25V B K 82			C 323	GJ270124760399	ECAPACITOR	16V VX M 47UF	
	C 49	GJ214008222499	CHIP CAPACITOR	1608 25V B K 82			C 324	GJ270111073999	ECAPACITOR	10V SR M 100MF	
	C 65	GJ214008222499	CHIP CAPACITOR	1608 25V B K 82			C 325	GJ270111073999	ECAPACITOR	10V SR M 100MF	
	C 66	GJ214008222499	CHIP CAPACITOR	1608 25V B K 82			C 327	GJ270191060399	ECAPACITOR	50V VX M 10MF	
	C 67	GJ214008222499	CHIP CAPACITOR	1608 25V B K 82			C 329	GJ270191060399	ECAPACITOR	50V VX M 1MF	
	C 68	GJ214008222499	CHIP CAPACITOR	1608 25V B K 82			C 330	GJ270191060399	ECAPACITOR	50V VX M 1MF	
	C 69	GJ214008222499	CHIP CAPACITOR	1608 25V B K 82			C 340	GJ270124760399	ECAPACITOR	16V VX M 47UF	
	C 70	GJ214008222499	CHIP CAPACITOR	1608 25V B K 82		△	C 356	GJ270122281099	ECAPACITOR	16V SMG M 2200M	
	C 71	GJ214001032499	CHIP CAPACITOR	1608 25V B K 10			C 357	GJ283001042415	POLY CAPACITOR	50V AMZ J 0.1MF	
	C 72	GJ214011022499	CHIP CAPACITOR	1608 50V B K 10			C 358	GJ283001042415	POLY CAPACITOR	50V AMZ J 0.1M	
	C 73	GJ264141022199	C.CAPACITOR	50V B K 1000FF			C 359	GJ214011022499	CHIP CAPACITOR	1608 50V B K 10	
	C 74	GJ214011022499	CHIP CAPACITOR	1608 50V B K 10			C 360	GJ214011022499	CHIP CAPACITOR	1608 50V B K 1	
	C 76	GJ214011022499	CHIP CAPACITOR	1608 50V B K 10			C 456	GJ270191060399	ECAPACITOR	50V VX M 10MF	
	C 78	GJ214011022499	CHIP CAPACITOR	1608 50V B K 10			C 458	GJ270191060399	ECAPACITOR	50V VX M 10MF	
	C 79	GJ214011022499	CHIP CAPACITOR	1608 50V B K 10			C 702	GJ210131012499	CHIP CAPACITOR	1608 50V CH J	
	C 80	GJ270124760399	ECAPACITOR	16V VX M 47UF			C 703	GJ214122232499	CHIP CAPACITOR	1608 50V F Z 0.	
	C 94	GJ270111070399	ECAPACITOR	10V VX M 100MF			C 704	GJ214012222499	CHIP CAPACITOR	1608 50V B K 22	
	C 96	GJ270111070399	ECAPACITOR	10V VX M 100MF			C 705	GJ214122232499	CHIP CAPACITOR	1608 50V F Z 0.	
	C 97	GJ270111070399	ECAPACITOR	10V VX M 100MF			C 706	GJ214122232499	CHIP CAPACITOR	1608 50V F Z 0.	
	C 98	GJ270111070399	ECAPACITOR	10V VX M 100MF			C 707	GJ210131002499	CHIP CAPACITOR	1608 50V CH J 1	
	C 99	GJ270191060399	ECAPACITOR	50V VX M 10MF			C 708	GJ214122232499	CHIP CAPACITOR	1608 50V F Z 0.	
	C 102	GJ270194741599	ECAPACITOR	50V SA M 0.47UF			C 709	GJ214122232499	CHIP CAPACITOR	1608 50V F Z 0.	
	C 103	GJ270192250399	ECAPACITOR	50V VX M 22MF			C 710	GJ214008212499	CHIP CAPACITOR	1608 25V B K 82	
	C 105	GJ210130302499	CHIP CAPACITOR	1608 50V CH J 3			C 711	GJ270191060399	ECAPACITOR	50V VX M 10MF	
	C 106	GJ214012722499	CHIP CAPACITOR	1608 50V B K 2			C 712	GJ214011022499	CHIP CAPACITOR	1608 50V B K 10	
	C 107	GJ270192250399	ECAPACITOR	50V VX M 2.2UF			C 714	GJ214122232499	CHIP CAPACITOR	1608 50V F Z 0.	
	C 108	GJ270192250399	ECAPACITOR	50V VX M 2.2UF			C 715	GJ264191042199	C.CAPACITOR	50V F Z 0.1UF	
	C 109	GJ270192250399	ECAPACITOR	50V VX M 2.2UF			C 717	GJ26426222199	C.CAPACITOR	16V X M 2200PF	
	C 110	GJ264144712199	C.CAPACITOR	50V B K 470PF			C 719	GJ270111070399	ECAPACITOR	10V VX M 100MF	
	C 111	GJ210131202499	CHIP RESISTOR	1608 50V CH J 1	B.E.E.NEV		C 720	GJ270111073999	ECAPACITOR	10V SR M 100MF	
	C 113	GJ214122232499	CHIP CAPACITOR	1608 50V F Z 0.			C 721	GJ283004722415	POLY CAPACITOR	50V AMZ J 0.004	
	C 114	GJ214122232499	CHIP CAPACITOR	1608 50V F Z 0.			C 722	GJ283001522415	POLY CAPACITOR	50V AMZ J 0.001	
	C 115	GJ214011022499	CHIP CAPACITOR	1608 50V B K 10			C 723	GJ283004732415	POLY CAPACITOR	50V AMZ J 0.047	
	C 116	GJ214011022499	CHIP CAPACITOR	1608 50V B K 10			C 724	GJ283003932415	POLY CAPACITOR	50V AMZ J 0.039	
	C 117	GJ210131012499	CHIP CAPACITOR	1608 50V CH J 1			C 725	GJ283004732415	POLY CAPACITOR	50V AMZ J 0.047	
	C 118	GJ210131012499	CHIP CAPACITOR	1608 50V CH J 1			C 726	GJ270124760399	ECAPACITOR	16V VX M 47UF	
	C 119	GJ210131012499	CHIP CAPACITOR	1608 50V CH J			C 727	GJ270112270999	ECAPACITOR	SMG M 220MF	
	C 121	GJ270194751599	ECAPACITOR	50V SA M 4.7UF			C 728	GJ264144712199	C.CAPACITOR	50V B K 470PF	
	C 122	GJ210131002499	CHIP CAPACITOR	1608 50V CH J 1			C 729	GJ282031542499	M.CAPACITOR	50V MMT J 0.15U	
	C 123	GJ286214312415	M.CAPACITOR	100V ECOQ J 430			C 730	GJ282033342499	M.CAPACITOR	50V MMT J 0.33U	
	C 124	GJ283008222415	POLY CAPACITOR	50V AMZ J 0.008			C 731	GJ283002232415	POLY CAPACITOR	50V AMZ J 0.022	
	C 125	GJ283001232415	POLY CAPACITOR	50V AMZ J 0.012			C 732	GJ214201042499	CHIP CAPACITOR	1608 16V B K 0	
	C 126	GJ270192240399	ECAPACITOR	50V VX M 0.22MF			C 733	GJ214201042499	CHIP CAPACITOR	1608 16V B K 0	

## ■ Electrical parts list (Main board)

Block No. 01

△	Item	Parts number	Parts name	Remarks	Area
	C 733	G.264191042199	C.CAPACITOR	50V F Z 0.1UF	
	C 734	G.214201042499	CHIP CAPACITOR	1608 16V B K 0	
	C 736	G.264191042199	C.CAPACITOR	50V F Z 0.1UF	
	C 737	G.210131202499	CHIP CAPACITOR	1608 50V CH J 1	
	C 738	G.210131202499	CHIP CAPACITOR	1608 50V CH J 1	
	C 740	G.270112270999	E.CAPACITOR	SMG M 220MF	
	C 741	G.270112270999	E.CAPACITOR	SMG M 220MF	
	C 742	G.270112270999	E.CAPACITOR	SMG M 220MF	
	C 743	G.264033302199	C.CAPACITOR	50V SL J 33PF	
	C 744	G.282031042499	M.CAPACITOR	50V MMT J 0.1UF	
	C 745	G.264182232199	C.CAPACITOR	25V F Z 0.022UF	
	C 746	G.214011022499	CHIP CAPACITOR	1608 50V B K 10	
	C 747	G.214011022499	CHIP CAPACITOR	1608 50V B K 1	
	C 748	G.26426222199	C.CAPACITOR	16V X M 2200PF	
	C 749	G.282033342499	M.CAPACITOR	50V MMT J 0.33	
	C 752	G.270114770999	E.CAPACITOR	10V SMG M 470MF	
	C 753	G.210131012499	CHIP CAPACITOR	1608 50V CH J 1	
	C 754	G.210131012499	CHIP CAPACITOR	1608 50V CH J 1	
	C 755	G.210131012499	CHIP CAPACITOR	1608 50V CH J 1	
	C 756	G.210131012499	CHIP CAPACITOR	1608 50V CH J	
	C 757	G.270111070999	E.CAPACITOR	10V VX M 100MF	
	C 758	G.270112270999	E.CAPACITOR	10V SMG M 220MF	
	C 759	G.270141061999	E.CAPACITOR	25V SA M 10UF	
	C 761	G.214003312499	CHIP CAPACITOR	1608 25V B K 33	
	C 762	G.214204732499	CHIP CAPACITOR	0.047UF	
	C 763	G.214204732499	CHIP CAPACITOR	0.047UF	
	C 764	G.214008222499	CHIP CAPACITOR	1608 25V B K 82	
	C 765	G.270191060999	E.CAPACITOR	50V VX M 1MF	
	C 766	G.270191060999	E.CAPACITOR	50V VX M 1MF	
	C 767	G.214204732499	CHIP CAPACITOR	0.047UF	
	C 801	G.214008222499	CHIP CAPACITOR	1608 25V B K 8	
	C 802	G.214008222499	CHIP CAPACITOR	1608 25V B K 82	
	C 803	G.214008222499	CHIP CAPACITOR	1608 25V B K 82	
	C 804	G.214008222499	CHIP CAPACITOR	1608 25V B K 82	
	C 805	G.264033302199	C.CAPACITOR	50V SL J 33PF	
	C 806	G.264033302199	C.CAPACITOR	50V SL J 33PF	
	C 807	G.210133302499	CHIP CAPACITOR	1608 50V CH J	
	C 808	G.210133302499	CHIP CAPACITOR	1608 50V CH J	
	C 809	G.210132702499	CHIP CAPACITOR	1608 50V CH J	
	C 810	G.210132702499	CHIP CAPACITOR	1608 50V CH J 2	
	C 811	G.214008222499	CHIP CAPACITOR	1608 25V B K 8	
	C 812	G.214008222499	CHIP CAPACITOR	1608 25V B K 82	
	C 813	G.214008222499	CHIP CAPACITOR	1608 25V B K 82	
	C 814	G.270191060999	E.CAPACITOR	50V VX M 1MF	
	C 815	G.270111070999	E.CAPACITOR	10V VX M 100MF	
	C 816	G.214008222499	CHIP CAPACITOR	1608 25V B K 8	
	C 817	G.214008222499	CHIP CAPACITOR	1608 25V B K 8	
	C 818	G.214008222499	CHIP CAPACITOR	1608 25V B K 8	
	C 819	G.270124760999	E.CAPACITOR	16V VX M 47UF	
	C 820	G.214008222499	CHIP CAPACITOR	1608 25V B K 82	
	C 821	G.270112270999	E.CAPACITOR	SMG M 220MF	
	C 822	G.270124760999	E.CAPACITOR	16V VX M 47UF	
	C 823	G.264271032199	C.CAPACITOR	16V Y M 0.01UF	
	C 824	G.264271032199	C.CAPACITOR	16V Y M 0.01UF	
	C 825	G.270191060999	E.CAPACITOR	50V VX M 10MF	
	C 827	G.270192260999	E.CAPACITOR	RD-T7RGN	
	CF 4	G.360000590008	CER FILTER	10.7MHZ SK107M2	
	CF 5	G.360000590008	CER FILTER	10.7MHZ SK107M2	
	CF 6	G.360040200008	FILTER	DISCRIMINATOR	
	CN301	G.345201040101	CONNECTOR	4PIN P=2MM	
	CN302	G.345251030101	CONNECTOR	3PIN P=2.5MM	
△	CN303	G.345251040101	CONNECTOR	4PIN 1/2	
△	CN303	G.354304670205	CONNECTOR	4PIN 2/2	
	CN701	G.340121150102	CONNECTOR	FFC/FPC 15PIN P	
	CN702	G.347201100001	CONNECTOR	P=2MM 10PIN CN	
	CN708	G.345202020101	CONNECTOR	2PIN P=2MM	

△	Item	Parts number	Parts name	Remarks	Area
	CN801	G.340021130102	CONNECTOR	FCC 13P	
	CN801	G.340022130102	FFC CONNECTOR	FFC/FPC 13PIN	
	CN802	G.340021280102	CONNECTOR	RD-T7RGN 1/2	
	CN802	G.340021240102	CONNECTOR	RD-T5RBU 1/2	
	CN802	G.340022280102	CONNECTOR	RD-T7RGN 2/2	
	CN802	G.340022240102	CONNECTOR	RD-T5RBU 2/2	
	CN804	G.345201070101	WAFER	7PIN P=2MM	
	CT 1	G.288000080002	TRIMMER CAPA.	20PF	
	D 1	G.310010220205	DIODE	1SS133T-77	
	D 5	G.310010220205	DIODE	1SS133T-77	
	D 6	G.310010220205	DIODE	1SS133T-77	
	D 10	G.310010220205	DIODE	1SS133T-77	
	D 11	G.310050202023	DIODE	KV1370NT	
	D 12	G.310050202023	DIODE	KV1370NT	
	D 13	G.310050250103	VARIABLE DIODE	VCR-KV1555NT	
	D 303	G.310010220205	DIODE	1SS133T-77	
	D 306	G.310010220205	DIODE	1SS133T-77	
	D 307	G.310010220205	DIODE	1SS133T-77	
	D 308	G.310010220205	DIODE	1SS133T-77	
	D 310	G.3100202020104	DIODE	1N4001	
	D 701	G.310010220205	DIODE	1SS133T-77	
	D 702	G.310010220205	DIODE	1SS133T-77	
	D 704	G.310010220205	DIODE	1SS133T-77	
	D 705	G.310010220205	DIODE	1SS133T-77	
	D 801	G.310010220205	DIODE	1SS133T-77	
	D 802	G.310010220205	DIODE	1SS133T-77	
	D 803	G.310010220205	DIODE	1SS133T-77	
	D 804	G.310010220205	DIODE	1SS133T-77	
	D 805	G.310010220205	DIODE	1SS133T-77	
	D 806	G.310010220205	DIODE	1SS133T-77	
	D 807	G.310010220205	DIODE	1SS133T-77	
	D 808	G.3100202020104	DIODE	1N4001	
	D 809	G.310010220205	DIODE	1SS133T-77	
	D 811	G.310010220205	DIODE	1SS133T-77	
	D 812	G.310010220205	DIODE	1SS133T-77	
	D 813	G.310010220205	DIODE	1SS133T-77	
	FB701	G.371010300003	FERRITE	R0655-BB39-833	
	FMANT	G.3737000010001	PIN CONNECTOR	RT-01T-1.3B	
	HP301	G.342010200113	JACK	D-3.5MM MSJ-200	
	IC 4	G.313070221000	IC	LC72136 PLL IC	
	IC 5	G.313011361106	IC	LA1823	
	IC 6	G.313011141103	IC	BU1923 DIP	
△	IC302	G.313080031101	IC	TA8227P	
	IC701	G.313060841223	IC	N662748RPMFA	
	IC702	G.313020851223	IC	AN22000A	
	IC703	G.313060281206	IC	BA6897P	
	IC704	G.313080291401	IC	TA8409S	
	IC801	G.313020851223	IC	MN101C36CYD	
	IC802	G.313070941702	IC	UPC78L05J	
	IC803	G.313041011406	IC	RD-T7RGN	
	J 330	G.288002360000	B. WIRE	RD-T5RBU	
	J 330	G.288002360000	B. WIRE	RD-T5RBU	
	JW 44	G.200950002499	CHIP RESISTOR	1608 1/16W J 0	
	JW324	G.200950002499	CHIP RESISTOR	1608 1/16W J 0	
	JW341	G.200950002499	CHIP RESISTOR	1608 1/16W J 0	
	JW342	G.200950002499	CHIP RESISTOR	1608 1/16W J 0	
	JW732	G.200950002499	CHIP RESISTOR	1608 1/16W J 0	
	JW739	G.200950002499	CHIP RESISTOR	1608 1/16W J 0	
	JW740	G.200950002499	CHIP RESISTOR	1608 1/16W J 0	
	JW744	G.200950002499	CHIP RESISTOR	1608 1/16W J 0	
	JW746	G.200950002499	CHIP RESISTOR	1608 1/16W J 0	
	JW837	G.200950002499	CHIP RESISTOR	1608 1/16W J 0	
	JW838	G.200950002499	CHIP RESISTOR	1608 1/16W J 0	

## ■ Electrical parts list (Main board)

Block No. 01

△	Item	Parts number	Parts name	Remarks	Area	△	Item	Parts number	Parts name	Remarks	Area
	JW841	GJ20095002499	CHIP RESISTOR	1608 1/16W J0			R 35	GJ200951022499	CHIP RESISTOR	1608 1/16W J 1K	
	JW842	GJ20095002499	CHIP RESISTOR	1608 1/16W J0			R 36	GJ200951022499	CHIP RESISTOR	1608 1/16W J 1K	
	L 1	GJ241111221202	INDUCTOR	220UH K CNSS-2			R 37	GJ200951022499	CHIP RESISTOR	1608 1/16W J 1K	
	L 3	GJ241111012102	INDUCTOR	10UH K CNSS-10			R 38	GJ200954732499	CHIP RESISTOR	1608 1/16W J.47	
	L 9	GJ241111012102	INDUCTOR	100UH K CNSS-10			R 40	GJ200954732499	CHIP RESISTOR	1608 1/16W J.47	
	L 10	GJ241111012102	INDUCTOR	100UH K CNSS-10			R 41	GJ200954732499	CHIP RESISTOR	1608 1/16W J.47	
	L 11	GJ320020650105	COIL	FM RF	EVEE		R 43	GJ200954732499	CHIP RESISTOR	1608 1/16W J.47	
	L 11	GJ320020620105	COIL		B.E.EN		R 44	GJ200954732499	CHIP RESISTOR	1608 1/16W J.47	
	L 14	GJ320020640105	COIL	FM RF	EVEE		R 45	GJ200953312499	CHIP RESISTOR	1608 1/16W J.33	
	L 14	GJ320020610105	COIL		B.E.EN		R 46	GJ200953312499	CHIP RESISTOR	1608 1/16W J.33	
	L 15	GJ241111012102	INDUCTOR	10UH K CNSS-10			R 47	GJ200953312499	CHIP RESISTOR	1608 1/16W J.33	
	L 16	GJ321000120104	IFT	AM OSC 7.5MM RE			R 48	GJ200951822499	CHIP RESISTOR	1608 1/16W J.1	
	L 17	GJ783100600804	BAR ANTENNA	10X60MM W/M CO			R 49	GJ200954722499	CHIP RESISTOR	1608 1/16W J.4	
	L 301	GJ241111012102	INDUCTOR	10UH K CNSS-10			R 50	GJ200954722499	CHIP RESISTOR	1608 1/16W J.4	
	L 302	GJ241111012102	INDUCTOR	10UH K CNSS-10			R 71	GJ200954722499	CHIP RESISTOR	1608 1/16W J.4	
	L 303	GJ241112232102	INDUCTOR	2.2UH K CNSS-2			R 72	GJ200953322499	CHIP RESISTOR	1608 1/16W J.3	
	L 701	GJ241111002102	INDUCTOR	10UH K CNSS-10			R 73	GJ200953322499	CHIP RESISTOR	1608 1/16W J.3	
	L 702	GJ241111002102	INDUCTOR	10UH K CNSS-10			R 81	GJ200955622499	CHIP RESISTOR	1608 1/16W J.5	
	LC 2	GJ360010130016	B.P.FILTER	VBP1M3B-	B.E.EN		R 82	GJ200955622499	CHIP RESISTOR	1608 1/16W J.5	
	LC 2	GJ360010140001	B.P.FILTER		EVEE		R 83	GJ200954742499	CHIP RESISTOR	1608 1/16W J.47	
	LCD81	GJ373010380510	LCD DISPLAY	DISPLAY			R 84	GJ200954742499	CHIP RESISTOR	1608 1/16W J.47	
	LED81	GJ374303021111	LED	RD-T7RGN			R 85	GJ200955620499	CHIP RESISTOR	1608 1/16W J.56	
	LED83	GJ871999885	LED	SLR-342VR3FMJN			R 86	GJ200952242499	CHIP RESISTOR	1608 1/16W J.22	
	Q 7	GJ312010162201	ZENER DIODE	2SC1923-0			R 87	GJ200951042499	CHIP RESISTOR	1608 1/16W J.10	
	Q 13	GJ312011191210	TRANSISTOR	KFA107M-AT			R 88	GJ200951042499	CHIP RESISTOR	1608 1/16W J.10	
	Q 14	GJ312011191210	TRANSISTOR	KFA107M-AT			R 89	GJ200951042499	CHIP RESISTOR	1608 1/16W J.10	
	Q 15	GJ312030152210	TRANSISTOR	KTC3195Y			R 90	GJ200951042499	CHIP RESISTOR	1608 1/16W J.10	
	Q 16	GJ312020036201	TRANSISTOR	2SC2458TP-YGR			R 91	GJ200952732499	CHIP RESISTOR	1608 1/16W J.27	
	Q 303	GJ312010941203	TRANSISTOR	2SD1781KQ			R 92	GJ200952732499	CHIP RESISTOR	1608 1/16W J.27	
	Q 304	GJ312010941203	TRANSISTOR	2SD1781KQ			R 93	GJ200952222499	CHIP RESISTOR	1608 1/16W J.2	
△	Q 305	GJ312011251210	TRANSISTOR	KTA1273Y			R 94	GJ200952222499	CHIP RESISTOR	1608 1/16W J.2	
△	Q 307	GJ312011231210	TRANSISTOR	KTA1287Y			R 95	GJ200952222499	CHIP RESISTOR	1608 1/16W J.2	
△	Q 308	GJ312011251210	TRANSISTOR	KTA1273Y			R 97	GJ200952202499	CHIP RESISTOR	1608 1/16W J.22	
	Q 309	GJ312020036201	TRANSISTOR	2SC2458TP-YGR			R 99	GJ200951002499	CHIP RESISTOR	1608 1/16W J.10	
	Q 310	GJ312020036201	TRANSISTOR	2SC2458TP-YGR			R 100	GJ200951012499	CHIP RESISTOR	1608 1/16W J.10	
	Q 311	GJ312011261210	TRANSISTOR	KFC102M-AT			R 101	GJ200951012499	CHIP RESISTOR	1608 1/16W J.10	
	Q 313	GJ312011261210	TRANSISTOR	KFC102M-AT			R 102	GJ200951012499	CHIP RESISTOR	1608 1/16W J.10	
	Q 701	GJ312011231210	TRANSISTOR	KTA1287Y			R 103	GJ200951012499	CHIP RESISTOR	1608 1/16W J.10	
	Q 703	GJ312090104202	TRANSISTOR	2SA-952TP-K1K2			R 104	GJ200951222499	CHIP RESISTOR	1608 1/16W J.1	
	Q 704	GJ302010054203	TRANSISTOR	2SC2412K-T-146-			R 307	GJ250036622199	CARBON RESISTOR	1/4WM J.5.6K	
	Q 705	GJ302010401203	TRANSISTOR	DTC143TKA-T146			R 308	GJ250038212199	CARBON RESISTOR	1/4WM J.820	
	Q 706	GJ302010054203	TRANSISTOR	2SC2412K-T-146-			R 309	GJ250036622199	CARBON RESISTOR	1/4WM J.5.6K	
	Q 801	GJ312020036201	TRANSISTOR	2SC2458TP-YGR			R 316	GJ200951032499	CHIP RESISTOR	1608 1/16W J.10	
	Q 802	GJ312020036201	TRANSISTOR	2SC2458TP-YGR			R 317	GJ200951032499	CHIP RESISTOR	1608 1/16W J.10	
	Q 803	GJ312011211210	TRANSISTOR	KRC107M			R 320	GJ200954722499	CHIP RESISTOR	1608 1/16W J.4	
	Q 804	GJ312010862210	TRANSISTOR	KTA1266-Y-AT			R 321	GJ200954722499	CHIP RESISTOR	1608 1/16W J.4	
	Q 805	GJ312011211210	TRANSISTOR	KRC107M			R 322	GJ200952212499	CHIP RESISTOR	1608 1/16W J.22	
	Q 806	GJ312020161203	TRANSISTOR	2SC2410S-TPN			R 323	GJ200952212499	CHIP RESISTOR	1608 1/16W J.22	
	Q 807	GJ312020161203	TRANSISTOR	2SC2410S-TPN			R 324	GJ200956802499	CHIP RESISTOR	1608 1/16W J.68	
	Q 808	GJ312020036201	TRANSISTOR	RD-T7RGN			R 325	GJ200956802499	CHIP RESISTOR	1608 1/16W J.68	
	R 1	GJ200951532499	CHIP RESISTOR	1608 1/16W J 15			R 329	GJ250032202199	CARBON RESISTOR	1/4WM J.22	
	R 2	GJ250033902199	CARBON RESISTOR	1/4WM J 39			R 333	GJ250031022199	CARBON RESISTOR	1/4WM J 1K	
	R 3	GJ250038202199	CHIP RESISTOR	1/4WM J 82			R 336	GJ200951012499	CHIP RESISTOR	1608 1/16W J.10	
	R 4	GJ250032202199	CARBON RESISTOR	1/4WM J 22			R 337	GJ250031022199	CARBON RESISTOR	1/4WM J 1K	
	R 5	GJ200951042499	CHIP RESISTOR	1608 1/16W J 10			R 338	GJ250031022199	CARBON RESISTOR	1/4WM J 1K	
	R 27	GJ200951022499	CHIP RESISTOR	1608 1/16W J 1K			R 339	GJ250034722199	CARBON RESISTOR	1/4WM J.4.7K	
	R 28	GJ200951022499	CHIP RESISTOR	1608 1/16W J 1K			R 341	GJ200953322499	CHIP RESISTOR	1608 1/16W J.3	
	R 29	GJ250031022199	CARBON RESISTOR	1/4WM J 1K			R 342	GJ250036632199	CARBON RESISTOR	1/4WM J.56K	
	R 30	GJ200951022499	CHIP RESISTOR	1608 1/16W J 1K			R 415	GJ250032222199	CHIP RESISTOR	RD-T7RGN	
	R 31	GJ200951022499	CHIP RESISTOR	1608 1/16W J 1K			R 416	GJ250032222199	CHIP RESISTOR	RD-T7RGN	
	R 32	GJ200951022499	CHIP RESISTOR	1608 1/16W J 1K			R 451	GJ200954732499	CHIP RESISTOR	1608 1/16W J.47	
	R 33	GJ200951022499	CHIP RESISTOR	1608 1/16W J 1K			R 452	GJ200954732499	CHIP RESISTOR	1608 1/16W J.47	
	R 34	GJ200951022499	CHIP RESISTOR	1608 1/16W J 1K			R 465	GJ200952222499	CHIP RESISTOR	1608 1/16W J.2	

## ■ Electrical parts list (Main board)

Block No. 01

△	Item	Parts number	Parts name	Remarks	Area
	R 701	G.200952742499	CHIP RESISTOR	1608 1/16W J27	
	R 702	G.200952242499	CHIP RESISTOR	1608 1/16W J22	
	R 703	G.200951042499	CHIP RESISTOR	1608 1/16W J10	
	R 704	G.25003332199	CARBON RESISTOR	1/4WM J 39K	
	R 705	G.200954742499	CHIP RESISTOR	1608 1/16W J47	
	R 706	G.20095002499	CHIP RESISTOR	1608 1/16W J0	
	R 707	G.20095222499	CHIP RESISTOR	1608 1/16W J22	
	R 708	G.20095222499	CHIP RESISTOR	1608 1/16W J22	
	R 709	G.20095102499	CHIP RESISTOR	1608 1/16W J10	
	R 710	G.200954732499	CHIP RESISTOR	1608 1/16W J4	
	R 711	G.69602360000	B. WIRE		
	R 712	G.250031202199	CARBON RESISTOR	1/4WM J 12	
	R 713	G.20095222499	CHIP RESISTOR	1608 1/16W J22	
	R 714	G.25003332199	CARBON RESISTOR	1/4WM J 3.3K	
	R 715	G.20095332499	CHIP RESISTOR	1608 1/16W J3	
	R 716	G.200951542499	CHIP RESISTOR	1608 1/16W J15	
	R 717	G.20095222499	CHIP RESISTOR	1608 1/16W J2	
	R 718	G.20095222499	CHIP RESISTOR	1608 1/16W J2	
	R 719	G.20095102499	CHIP RESISTOR	1608 1/16W J1K	
	R 720	G.20095002499	CHIP RESISTOR	1608 1/16W J0	
	R 721	G.20095002499	CHIP RESISTOR	1608 1/16W J0	
	R 722	G.20095102499	CHIP RESISTOR	1608 1/16W J1K	
	R 723	G.20095102499	CHIP RESISTOR	1608 1/16W J1K	
	R 724	G.20095102499	CHIP RESISTOR	1608 1/16W J1K	
	R 725	G.20095332499	CHIP RESISTOR	1608 1/16W J39	
	R 726	G.20095002499	CHIP RESISTOR	1608 1/16W J0	
	R 728	G.250031032199	CARBON RESISTOR	1/4WM J 10K	
	R 729	G.200951032499	CHIP RESISTOR	1608 1/16W J1	
	R 737	G.200956832499	CHIP RESISTOR	1608 1/16W J68	
	R 738	G.250031242199	CARBON RESISTOR	1/4WM J 120K	
	R 739	G.200956832499	CHIP RESISTOR	1608 1/16W J68	
	R 740	G.200953312499	CHIP RESISTOR	1608 1/16W J33	
	R 741	G.20095682499	CHIP RESISTOR	1608 1/16W J5	
	R 742	G.200952712499	CHIP RESISTOR	1608 1/16W J27	
	R 743	G.200952212499	CHIP RESISTOR	1608 1/16W J22	
	R 744	G.20095822499	CHIP RESISTOR	1608 1/16W J8	
	R 745	G.20095822499	CHIP RESISTOR	1608 1/16W J8	
	R 746	G.20095822499	CHIP RESISTOR	1608 1/16W J8	
	R 747	G.20095102499	CHIP RESISTOR	1608 1/16W J10	
	R 748	G.20095682499	CHIP RESISTOR	1608 1/16W J6	
	R 749	G.20095682499	CHIP RESISTOR	1608 1/16W J6	
	R 750	G.200953942499	CHIP RESISTOR	1608 1/16W J3	
	R 751	G.20095002499	CHIP RESISTOR	1608 1/16W J0	
	R 752	G.20095002499	CHIP RESISTOR	1608 1/16W J0	
	R 753	G.20095002499	CHIP RESISTOR	1608 1/16W J0	
	R 756	G.20095332499	CHIP RESISTOR	1608 1/16W J3	
	R 757	G.20095272499	CHIP RESISTOR	1608 1/16W J2	
	R 758	G.200951212499	CHIP RESISTOR	1608 1/16W J1	
	R 759	G.200956832499	CHIP RESISTOR	1608 1/16W J56	
	R 760	G.200951232499	CHIP RESISTOR	1608 1/16W J1	
	R 761	G.200953312499	CHIP RESISTOR	1608 1/16W J33	
	R 763	G.200951012499	CHIP RESISTOR	1608 1/16W J10	
	R 764	G.250031512199	RESISTOR	1/4WM J 150	
	R 765	G.200953912499	CHIP RESISTOR	1608 1/16W J39	
	R 766	G.25003332199	CARBON RESISTOR	1/4WM J 3.3K	
	R 767	G.20095332499	CHIP RESISTOR	1608 1/16W J3	
	R 768	G.20095682499	CHIP RESISTOR	1608 1/16W J5	
	R 769	G.20095222499	CHIP RESISTOR	1608 1/16W J2	
	R 770	G.200954722499	CHIP RESISTOR	1608 1/16W J4	
	R 771	G.20095222499	CHIP RESISTOR	1608 1/16W J2	
	R 772	G.25003332199	CARBON RESISTOR	1/4WM J 33K	
	R 773	G.20095332499	CHIP RESISTOR	1608 1/16W J33	
	R 774	G.20095682499	CHIP RESISTOR	1608 1/16W J62	

△	Item	Parts number	Parts name	Remarks	Area
	R 801	G.200951032499	CHIP RESISTOR	1608 1/16W J10	
	R 802	G.200951032499	CHIP RESISTOR	1608 1/16W J10	
	R 803	G.200951032499	CHIP RESISTOR	1608 1/16W J10	
	R 804	G.200951032499	CHIP RESISTOR	1608 1/16W J10	
	R 805	G.200951022499	CHIP RESISTOR	1608 1/16W J1K	
	R 806	G.200951022499	CHIP RESISTOR	1608 1/16W J1K	
	R 807	G.200951022499	CHIP RESISTOR	1608 1/16W J1K	
	R 808	G.200951022499	CHIP RESISTOR	1608 1/16W J1K	
	R 809	G.200951032499	CHIP RESISTOR	1608 1/16W J10	
	R 810	G.200951032499	CHIP RESISTOR	1608 1/16W J10	
	R 811	G.20095222499	CHIP RESISTOR	1608 1/16W J2	
	R 812	G.20095222499	CHIP RESISTOR	1608 1/16W J2	
	R 813	G.20095222499	CHIP RESISTOR	1608 1/16W J2	
	R 814	G.20095222499	CHIP RESISTOR	1608 1/16W J2	
	R 815	G.250034722199	CARBON RESISTOR	1/4WM J 4.7K	
	R 816	G.250034722199	CARBON RESISTOR	1/4WM J 4.7K	
	R 817	G.250034722199	CARBON RESISTOR	1/4WM J 4.7K	
	R 818	G.250034722199	CARBON RESISTOR	1/4WM J 4.7K	
	R 819	G.200951522499	CHIP RESISTOR	1608 1/16W J1.5K	BE,ENEV
	R 819	G.200956812499	CHIP RESISTOR	1608 1/16W J68	EE
	R 820	G.200954732499	CHIP RESISTOR	1608 1/16W J47	
	R 822	G.200951022499	CHIP RESISTOR	1608 1/16W J1K	
	R 823	G.200951022499	CHIP RESISTOR	1608 1/16W J1K	
	R 824	G.200951022499	CHIP RESISTOR	1608 1/16W J1K	
	R 825	G.200954732499	CHIP RESISTOR	1608 1/16W J47	
	R 826	G.200951022499	CHIP RESISTOR	1608 1/16W J1K	
	R 827	G.200951022499	CHIP RESISTOR	1608 1/16W J1K	
	R 828	G.200951022499	CHIP RESISTOR	1608 1/16W J1K	
	R 829	G.200951022499	CHIP RESISTOR	1608 1/16W J1K	
	R 830	G.20095222499	CHIP RESISTOR	1608 1/16W J2	
	R 831	G.200954732499	CHIP RESISTOR	1608 1/16W J47	
	R 832	G.200954722499	CHIP RESISTOR	1608 1/16W J4	
	R 833	G.200954732499	CHIP RESISTOR	1608 1/16W J47	
	R 834	G.200951022499	CHIP RESISTOR	1608 1/16W J1K	
	R 835	G.200951032499	CHIP RESISTOR	1608 1/16W J10	
	R 836	G.20095222499	CHIP RESISTOR	1608 1/16W J2	
	R 837	G.200951022499	CHIP RESISTOR	1608 1/16W J1K	
	R 838	G.200951022499	CHIP RESISTOR	1608 1/16W J1K	
	R 839	G.20095222499	CHIP RESISTOR	RD-T7RGN	
	R 840	G.200951022499	CHIP RESISTOR	1608 1/16W J1K	
	R 841	G.200951032499	CHIP RESISTOR	1608 1/16W J10	
	R 842	G.200951022499	CHIP RESISTOR	1608 1/16W J1K	
	R 843	G.20095222499	CHIP RESISTOR	1608 1/16W J2	
	R 844	G.200951822499	CHIP RESISTOR	1608 1/16W J1	
	R 845	G.200951022499	CHIP RESISTOR	1608 1/16W J1K	
	R 846	G.200951022499	CHIP RESISTOR	1608 1/16W J1K	
	R 847	G.20095222499	CHIP RESISTOR	1608 1/16W J2	
	R 848	G.200951032499	CHIP RESISTOR	1608 1/16W J10	
	R 849	G.20095222499	CHIP RESISTOR	1608 1/16W J2	
	R 850	G.200951032499	CHIP RESISTOR	1608 1/16W J10	
	R 851	G.200954732499	CHIP RESISTOR	1608 1/16W J47	
	R 852	G.200951032499	CHIP RESISTOR	RD-T7RGN	
	R 853	G.200951022499	CHIP RESISTOR	1608 1/16W J1K	
	R 854	G.200951222499	CHIP RESISTOR	1608 1/16W J1	
	R 855	G.200951022499	CHIP RESISTOR	1608 1/16W J1K	
	R 856	G.200951022499	CHIP RESISTOR	1608 1/16W J1K	
	R 857	G.200951022499	CHIP RESISTOR	1608 1/16W J1K	
	R 858	G.200951022499	CHIP RESISTOR	1608 1/16W J1K	
	R 859	G.200951022499	CHIP RESISTOR	1608 1/16W J1K	
	R 860	G.200954712499	CHIP RESISTOR	1608 1/16W J47	
	R 861	G.200952212499	CHIP RESISTOR	1608 1/16W J22	
	R 862	G.200951022499	CHIP RESISTOR	1608 1/16W J1K	
	R 863	G.200951022499	CHIP RESISTOR	1608 1/16W J1K	



## ■ Electrical parts list (Main board)

Block No. 01

△	Item	Parts number	Parts name	Remarks	Area
	R 864	GJ200951022499	CHIP RESISTOR	1608 1/16W J 1K	
	R 865	GJ200951022499	CHIP RESISTOR	1608 1/16W J 1K	
	R 866	GJ200951022499	CHIP RESISTOR	1608 1/16W J 1K	
	R 867	GJ200951022499	CHIP RESISTOR	1608 1/16W J 1K	
	R 868	GJ200951022499	CHIP RESISTOR	1608 1/16W J 1K	
	R 869	GJ200951022499	CHIP RESISTOR	1608 1/16W J 1K	
	R 870	GJ200954732499	CHIP RESISTOR	1608 1/16W J 47	
	R 871	GJ200954732499	CHIP RESISTOR	1608 1/16W J 47	
	R 872	GJ200951002499	CHIP RESISTOR	1608 1/16W J 10	
	R 873	GJ200951032499	CHIP RESISTOR	1608 1/16W J 10	
	R 874	GJ250031032199	CARBON RESISTOR	144MMJ 10K	
	R 875	GJ200951032499	CHIP RESISTOR	1608 1/16W J 10	
	R 876	GJ200956812499	CHIP RESISTOR	1608 1/16W J 68	
	R 877	GJ200956812499	CHIP RESISTOR	1608 1/16W J 6	
	R 878	GJ200956812499	CHIP RESISTOR	1608 1/16W J 82	
	R 879	GJ200951022499	CHIP RESISTOR	1608 1/16W J 1	
	R 880	GJ200951522499	CHIP RESISTOR	1608 1/16W J 1.	
	R 881	GJ200952222499	CHIP RESISTOR	RD-T7RGN	
	R 882	GJ200956812499	CHIP RESISTOR	1608 1/16W J 68	
	R 883	GJ200956812499	CHIP RESISTOR	1608 1/16W J 68	
	R 884	GJ200956812499	CHIP RESISTOR	1608 1/16W J 82	
	R 885	GJ200951022499	CHIP RESISTOR	1608 1/16W J 1	
	R 886	GJ200951522499	CHIP RESISTOR	1608 1/16W J 1.	
	R 887	GJ200952222499	CHIP RESISTOR	1608 1/16W J 2.	
	R 888	GJ200952722499	CHIP RESISTOR	1608 1/16W J 2.	
	R 889	GJ200951032499	CHIP RESISTOR	1608 1/16W J 10	
	R 890	GJ200952732499	CHIP RESISTOR	1608 1/16W J 27	
	R 891	GJ250031012199	CHIP RESISTOR	RD-T7RGN	
	R 892	GJ250031042199	CHIP RESISTOR	RD-T7RGN	
	R 893	GJ250038202199	CHIP RESISTOR	RD-T7RGN	
	R 894	GJ200952222499	CHIP RESISTOR	1608 1/16W J 2.	
	R 896	GJ200952222499	CHIP RESISTOR	1608 1/16W J 22	
	R 897	GJ200951022499	CHIP RESISTOR	1608 1/16W J 1K	
	R 902	GJ200951032499	CHIP RESISTOR	1608 1/16W J 10	
	R 903	GJ250032222199	CARBON RESISTOR	RD-T7RGN	
	R 905	GJ250031012199	CHIP RESISTOR	RD-T7RGN	
	R 906A	GJ250038202199	CHIP RESISTOR	82 0HM SMD	
	S 701	GJ39070031204	DOUBLE SWING	SWITCH F8130178	
	S 801	GJ390110281108	TACT SWITCH	SKQNR	
	S 802	GJ390110281108	TACT SWITCH	SKQNR	
	S 803	GJ390110281108	TACT SWITCH	SKQNR	
	S 804	GJ390110281108	TACT SWITCH	SKQNR	
	S 805	GJ390110281108	TACT SWITCH	SKQNR	
	S 806	GJ390110281108	TACT SWITCH	SKQNR	
	S 807	GJ390110281108	TACT SWITCH	SKQNR	
	S 808	GJ390110281108	TACT SWITCH	SKQNR	
	S 809	GJ390110281108	TACT SWITCH	SKQNR	
	S 810	GJ390110281108	TACT SWITCH	SKQNR	
	S 811	GJ390110281108	TACT SWITCH	SKQNR	
	S 812	GJ390110281108	TACT SWITCH	SKQNR	
	S 813	GJ390110281108	TACT SWITCH	SKQNR	
	S 814	GJ390110281108	TACT SWITCH	RD-T7RGN	
	S 815	GJ390110281108	TACT SWITCH	SKQNR	
	T 2	GJ321000720109	IFT	PCFAZ-HY-AC009	
	VR801	GJ299000610008	V.RESISTOR	RE160-40E3-15A-	
	X 3	GJ361000360013	CRYSTAL	75KHZ 12.5PF +	
	X 4	GJ361000340013	CRYSTAL	4.332MHZ +/-20PP	
	X 701	GJ362000360010	RESONATOR	C08-16MB94C062	
	X 801	GJ361000370013	CRYSTAL	D38-32.7680KHZ	
	X 802	GJ178158811	CARBON RESISTOR	CSA8.00 MTZ 200	
	ZD302	GJ310030011405	ZENER DIODE	MTZ-JT-77-5.1B	

## ■ Electrical parts list (AHB board)

Block No. 02

△	Item	Parts number	Parts name	Remarks	Area
	C 401	GJ270192260399	E CAPACITOR	RD-T7RGN	
	C 402	GJ270192260399	E CAPACITOR	RD-T7RGN	
	C 403	GJ270111070399	E.CAPACITOR	RD-T7RGN	
	C 404	GJ270111070399	E.CAPACITOR	RD-T7RGN	
	C 405	GJ270194750399	E CAPACITOR	RD-T7RGN	
	C 406	GJ270191050399	E CAPACITOR	RD-T7RGN	
	C 407	GJ270191050399	E CAPACITOR	RD-T7RGN	
	C 408	GJ264271032199	C.CAPACITOR	RD-T7RGN	
	C 409	GJ283003332415	POLY CAPACITOR	RD-T7RGN	
	C 410	GJ283003332415	POLY CAPACITOR	RD-T7RGN	
	C 411	GJ283003332415	POLY CAPACITOR	RD-T7RGN	
	C 412	GJ283003332415	POLY CAPACITOR	RD-T7RGN	
	CN402	GJ347201080001	CONNECTOR	RD-T7RGN	
	D 401	GJ310010220205	DIODE	RD-T7RGN	
	D 402	GJ310010220205	DIODE	RD-T7RGN	
	IC401	GJ313010023103	IC	RD-T7RGN	
	Q 401	GJ312000091201	TRANSISTOR	RD-T7RGN	
	Q 402	GJ312000091201	TRANSISTOR	RD-T7RGN	
	R 401	GJ250036612199	CARBON RESISTOR	RD-T7RGN	
	R 402	GJ200951522499	CHIP RESISTOR	RD-T7RGN	
	R 403	GJ20095622499	CHIP RESISTOR	RD-T7RGN	
	R 404	GJ200951522499	CHIP RESISTOR	RD-T7RGN	
	R 405	GJ20095622499	CHIP RESISTOR	RD-T7RGN	
	R 406	GJ200951522499	CHIP RESISTOR	RD-T7RGN	
	R 407	GJ200951522499	CHIP RESISTOR	RD-T7RGN	
	R 408	GJ25003222199	CHIP RESISTOR	RD-T7RGN	
	R 409	GJ20095242499	CHIP RESISTOR	RD-T7RGN	
	R 410	GJ20095242499	CHIP RESISTOR	RD-T7RGN	
	R 411	GJ250032242199	CARBON RESISTOR	RD-T7RGN	
	R 412	GJ20095242499	CHIP RESISTOR	RD-T7RGN	
	R 413	GJ250031042199	CHIP RESISTOR	RD-T7RGN	
	R 414	GJ250031042199	CHIP RESISTOR	RD-T7RGN	
	R 418	GJ200951532499	CHIP RESISTOR	RD-T7RGN	
	R 419	GJ200951532499	CHIP RESISTOR	RD-T7RGN	
	R 420	GJ200951532499	CHIP RESISTOR	RD-T7RGN	
	R 421	GJ200951532499	CHIP RESISTOR	RD-T7RGN	
	ZD401	GJ310030014405	ZENER DIODE	RD-T7RGN	

## ■ Electrical parts list (Power supply board)

Block No. 03

△	Item	Parts number	Parts name	Remarks	Area
	C 922	GJ264182232199	C.CAPACITOR	25V F Z 0.022UF	
	C 923	GJ264182232199	C.CAPACITOR	25V F Z 0.022U	
	C 924	GJ264182232199	C.CAPACITOR	25V F Z 0.022U	
	C 926	GJ264182232199	C.CAPACITOR	25V F Z 0.022UF	
	D 304	GJ310010220205	DIODE	1SS137-77	
△	D 911	GJ310020100116	DIODE	IN5391 1.5A 50	
△	D 912	GJ310020100116	DIODE	IN5391 1.5A 50	
△	D 913	GJ310020100116	DIODE	IN5391 1.5A 50V	
△	D 914	GJ310020100116	DIODE	IN5391 1.5A 50V	
△	F 902	GJ369000330009	FUSE	1.6A 250V	
	FHOLD	GJ153321741	FUSE HOLDER	F901	
	R 945	GJ250033312199	CARBON RESISTOR	1/4W J 330	
△	S 902	GJ343012501005	AC SOCKET	AC 250V 2.5A H	
	TAB	GJ272000010000	TAPING LUG	(TP00473-41)	

## ■ Electrical parts list (Volume board)

Block No. 04

△	Item	Parts number	Parts name	Remarks	Area
	C 100	GJ270191051599	E.CAPACITOR	50V SA M 1.0MF	
	C 101	GJ270191051599	E.CAPACITOR	50V SA M 1.0MF	
	C 303	GJ270194740399	E.CAPACITOR	RD-T7RGN	
	C 304	GJ283001032415	POLY CAPACITOR	RD-T7RGN	
	C 306	GJ283001032415	POLY CAPACITOR	RD-T7RGN	
	C 307	GJ270194740399	E.CAPACITOR	RD-T7RGN	
	C 309	GJ270191060399	E.CAPACITOR	50V VX M 10MF	
	C 320	GJ283004732415	POLY CAPACITOR	50V AMZ J 0.047	
	C 342	GJ270191051599	E.CAPACITOR	50V SA M 1.0MF	
	C 344	GJ270191051599	E.CAPACITOR	50V SA M 1.0MF	
	C 345	GJ270191051599	E.CAPACITOR	50V SA M 1.0MF	
	C 348	GJ270191051599	E.CAPACITOR	50V SA M 1.0MF	
	C 349	GJ270111070399	E.CAPACITOR	0V VX M 100MF	
	C 351	GJ283002722415	POLY CAPACITOR	50V AMZ J 0.002	
	C 352	GJ283004732415	POLY CAPACITOR	50V AMZ J 0.047	
	C 353	GJ283004732415	POLY CAPACITOR	50V AMZ J 0.047	
	C 354	GJ283002722415	POLY CAPACITOR	50V AMZ J 0.002	
	C 355	GJ283004732415	POLY CAPACITOR	50V AMZ J 0.047	
	ONS10	GJ347201110001	CONNECTOR	P=2MM 11PIN C	
	IC301	GJ313071391106	IC	LC75342	
	R 301	GJ200955612499	CHIP RESISTOR	RD-T7RGN	
	R 301	GJ200952222499	CHIP RESISTOR	RD-T5RBU	
	R 302	GJ200953022499	CHIP RESISTOR	RD-T5RBU	
	R 302	GJ200951222499	CHIP RESISTOR	RD-T7RGN	
	R 303	GJ200952722499	CHIP RESISTOR	RD-T7RGN	
	R 304	GJ200953022499	CHIP RESISTOR	RD-T5RBU	
	R 304	GJ200951222499	CHIP RESISTOR	RD-T7RGN	
	R 305	GJ200952722499	CHIP RESISTOR	RD-T7RGN	
	R 306	GJ200952222499	CHIP RESISTOR	RD-T5RBU	
	R 306	GJ200955612499	CHIP RESISTOR	RD-T7RGN	
	R 310	GJ200951032499	CHIP RESISTOR	1608 1/16W J 10	
	R 311	GJ200951032499	CHIP RESISTOR	1608 1/16W J 10	
	R 312	GJ200951032499	CHIP RESISTOR	1608 1/16W J 10	
	R 347	GJ200953922499	CHIP RESISTOR	1608 1/16W J 3	
	R 348	GJ200953922499	CHIP RESISTOR	1608 1/16W J 3	
	R 349	GJ250031512199	RESISTOR	1/4WM J 150	
	R 350	GJ200953922499	CHIP RESISTOR	1608 1/16W J 3	
	R 351	GJ200951022499	CHIP RESISTOR	1608 1/16W J 1	
	R 352	GJ200953922499	CHIP RESISTOR	1608 1/16W J 3	
	R 353	GJ200951022499	CHIP RESISTOR	1608 1/16W J 1K	

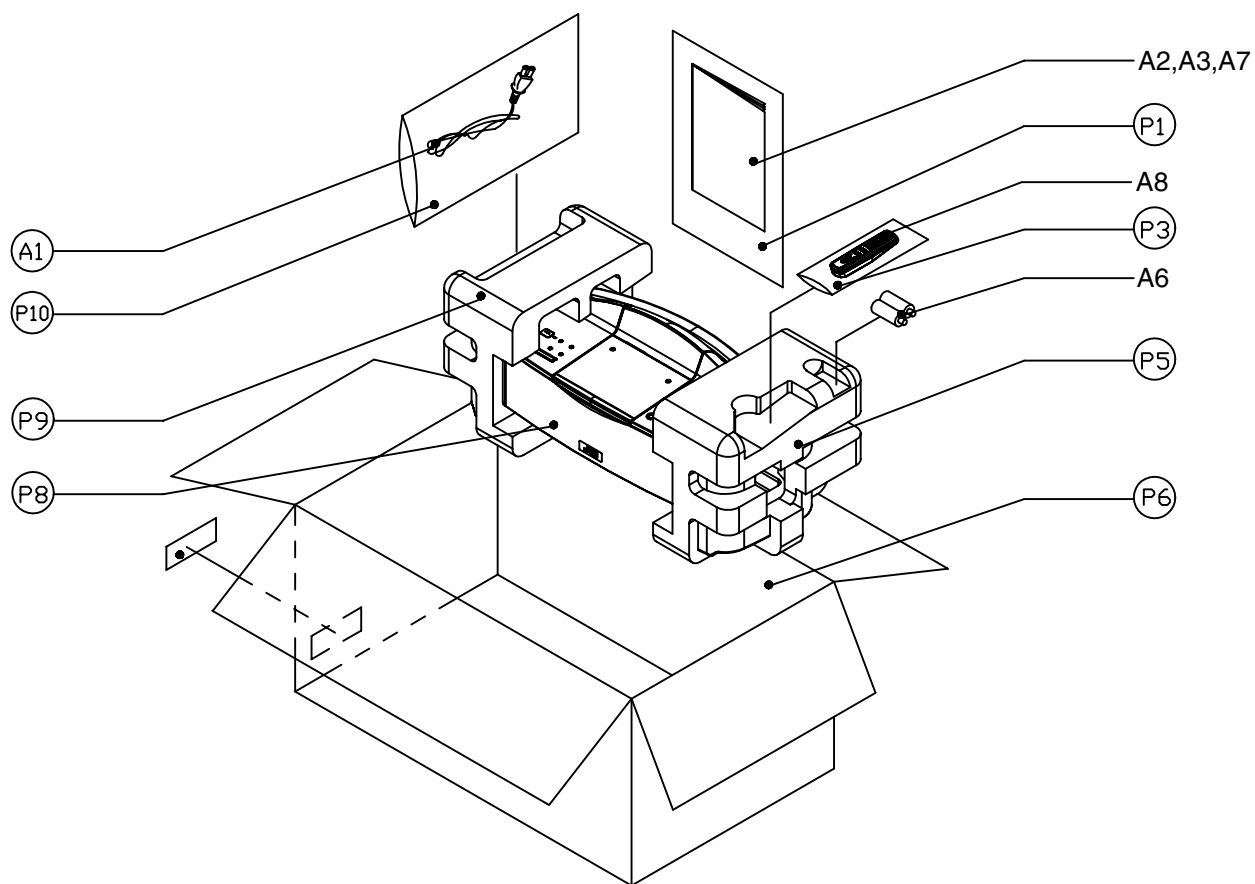
# Packing materials and accessories parts list

Block No. 

M	2	M	M
---	---	---	---

Block No. 

M	3	M	M
---	---	---	---



**Parts list (Packing)**

Block No. M2MM

△	Item	Parts number	Parts name	Q'ty	Description	Area
	P 1	GJ740253530300	POLYBAG	1	FOR INSTRUCTION	
	P 3	GJ740082550400	POLY BAG	1	FOR REMOCON	
	P 5	GJ560580080101	POLYFOAM (R)	1		
	P 6	GJ560580010101	CARTON	1	RD-T7RGN	
		GJ560580040101	CARTON	1	RD-T5RBU	
	P 8	GJ740325520300	POLYBAG	1	FOR UNIT	
	P 9	GJ560580070101	POLYFOAM (L)	1		
	P 10	GJ740153530000	POLYBAG	1	FOR POWER CODE	B
		GJ740122550000	POLYBAG	1	FOR POWER CODE	E,EN,EV,EE

**Parts list (Accessories)**

Block No. M3MM

△	Item	Parts number	Parts name	Q'ty	Description	Area
△	A 1	GJ350251832120	POWER CORD	1	AC250V VDE 2.5A	E,EN,EV,EE
△		GJ350411832120	POWER CORD	1	AC250V 3A 1.83M	B
	A 2	GJ773012580101	INSTRUCTIONS	1	RD-T7RGN (GER FRE DUT)	E
		GJ773012580201	INSTRUCTIONS	1	RD-T7RGN (ENG)	B
		GJ773012580401	INSTRUCTIONS	1	RD-T7RGN (POR HUN CZE)	EV
		GJ773012580501	INSTRUCTIONS	1	RD-T7RGN (RUS)	EE
		GJ773012580301	INSTRUCTIONS	1	RD-T7RGN(GER FRE SPA ITA FIN DAN)	EN
	A 3	GJ773030350202	WARRANTY CARD	1	EBEN	B,E,EN
		GJ773030360101	WARRANTY CARD	1	EVEE	EV,EE
	A 6	GJ396000010001	BATTERY	2	RD-T7RGN	
	A 7	EJ775000380101	REGISTRATION	1		B
	A 8	GJA1002039001C	REMOCON	1	RD-T7RGN	